

# 2007 REBATE APPLICATION

## 3-Phase Electric Motors and Variable Frequency Drives

Efficiency Vermont provides rebates for installing NEMA Premium™ efficiency motors and variable frequency drives (VFDs) in your Vermont business. Before completing this application, review the requirements below and the “Terms & Conditions” on page 4 to ensure that you qualify for rebates under this program.

### 1. Determine your equipment's eligibility.

#### 3-Phase Electric Motors

- Motors must be new, meet or exceed the NEMA Nominal Efficiencies listed on the tables on page 2, and operate at least 2,000 hours a year.

#### Variable Frequency Drives (VFDs)

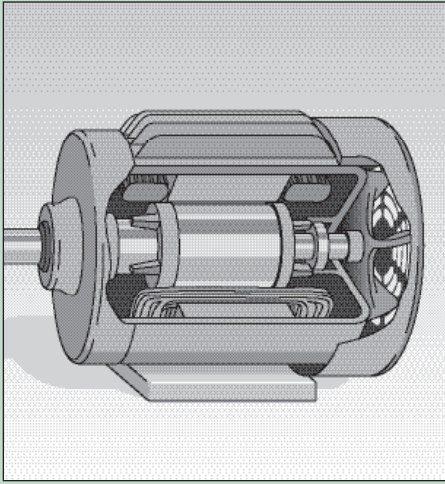
- Eligible VFDs are supply fans, return fans, exhaust fans and chilled water pumps, 3 to 10 HP only, used to control commercial HVAC equipment.
- NOT eligible are forward-curve fans with inlet guide vanes, variable pitch vanaxial fans, and VFD installations required by the Vermont Commercial Energy Code. (Contact Efficiency Vermont for all other applications.)
- VFDs must be new and cannot replace existing VFDs.
- VFDs must be controlled by an automatic signal (differential pressure, flow or temperature).
- Each VFD must include a series reactor (inductor, choke) in its AC input connections. (Your supplier should help with sizing the reactor.) The minimum is a 3% impedance reactor, based on the HP rating of the VFD to be installed.

### 2. Complete this application.

- Fill in the worksheet on page 3, being sure to review the specifications on page 2 to make sure your equipment is eligible.
- Calculate your total rebate and enter the amount in the space provided.
- Read and sign the “Terms & Conditions” on page 4.
- Please check to make sure you've provided all information requested. Incomplete information will delay the processing of your application.

### 3. Return your completed application with your proof(s) of purchase.

- Enclose sales receipts(s) or invoice(s) itemizing your new equipment. The proof of purchase must indicate the date and place of purchase as well as the size, type, make, model or part number of the equipment.
- *All electric-utility customers except those in Burlington:* Send this completed application with your receipts to Efficiency Vermont, 255 S. Champlain St., Burlington, VT 05401-4894.
- *Customers served by the Burlington Electric Department:* Send this completed application with your receipts to Energy Services Area, Burlington Electric Department, 585 Pine St., Burlington, VT 05401.



### WHAT'S NEW:

VFD rebates are now available for HVAC fans and chilled water pumps under 10 horsepower.

### WORK WITH EFFICIENCY VERMONT!

There may be other opportunities to save money and energy, such as with lighting and refrigeration. Please contact us at 888-921-5990 or [info@efficiencyvermont.com](mailto:info@efficiencyvermont.com).

Efficiency Vermont, the state's energy-efficiency utility, helps Vermont businesses and households reduce energy to save money, strengthen the economy and protect the environment. Include Efficiency Vermont on your project team.



888-921-5990 • [www.efficiencyvermont.com](http://www.efficiencyvermont.com)

Printed using vegetable-based inks on paper that contains 100% post-consumer waste and is 100% process-chlorine free.

## REBATE AMOUNTS FOR VARIABLE DRIVE FREQUENCIES

VFD Type
Supply Fan
Return Fan
Exhaust Fan
Chilled Water Pump

Step 1: Select VFD type from the “VFD Type” column at left.

Step 2: Select VFD size from the “VFD Size (Horsepower)” column on the right.

Step 3: Find the appropriate rebate amount for your VFD.

Step 4: Enter all of this information into the “VFD Information” form on page 3.

VFD Size (Horsepower)	Rebate Amount
3.0	\$500
5.0	\$750
7.5	\$1,000
10.0	\$1,200

## NEMA PREMIUM™ QUALIFYING MOTOR EFFICIENCIES & REBATE AMOUNTS

Motor rebates are based on size (horsepower) and NEMA nominal efficiencies. Choose the ODP or TEFC table depending on the type of motor involved, then locate the size (horsepower) of your motor. Verify that your motor meets the NEMA nominal efficiency for your motor speed, then locate the rebate amount for which you are eligible. Enter all of this information into the “Motor Information” form on page 3.

Open Drip-Proof (ODP) Motors				
HP	NEMA Nominal Efficiency			Rebate Amount
	1200 RPM	1800 RPM	3600 RPM	
1	82.5 %	85.5 %	77.0 %	\$45
1.5	86.5 %	86.5 %	84.0 %	\$45
2	87.5 %	86.5 %	85.5 %	\$54
3	88.5 %	89.5 %	85.5 %	\$54
5	89.5 %	89.5 %	86.5 %	\$54
7.5	90.2 %	91.0 %	88.5 %	\$81
10	91.7 %	91.7 %	89.5 %	\$90
15	91.7 %	93.0 %	90.2 %	\$104
20	92.4 %	93.0 %	91.0 %	\$113
25	93.0 %	93.6 %	91.7 %	\$117
30	93.6 %	94.1 %	91.7 %	\$135
40	94.1 %	94.1 %	92.4 %	\$162
50	94.1 %	94.5 %	93.0 %	\$198
60	94.5 %	95.0 %	93.6 %	\$234
75	94.5 %	95.0 %	93.6 %	\$270
100	95.0 %	95.4 %	93.6 %	\$360
125	95.0 %	95.4 %	94.1 %	\$540
150	95.4 %	95.8 %	94.1 %	\$630
200	95.4 %	95.8 %	95.0 %	\$630

Totally Enclosed, Fan-Cooled (TEFC) Motors				
HP	NEMA Nominal Efficiency			Rebate Amount
	1200 RPM	1800 RPM	3600 RPM	
1	82.5 %	85.5 %	77.0 %	\$50
1.5	87.5 %	86.5 %	84.0 %	\$50
2	88.5 %	86.5 %	85.5 %	\$60
3	89.5 %	89.5 %	86.5 %	\$60
5	89.5 %	89.5 %	88.5 %	\$60
7.5	91.0 %	91.7 %	89.5 %	\$90
10	91.0 %	91.7 %	90.2 %	\$100
15	91.7 %	92.4 %	91.0 %	\$115
20	91.7 %	93.0 %	91.0 %	\$125
25	93.0 %	93.6 %	91.7 %	\$130
30	93.0 %	93.6 %	91.7 %	\$150
40	94.1 %	94.1 %	92.4 %	\$180
50	94.1 %	94.5 %	93.0 %	\$220
60	94.5 %	95.0 %	93.6 %	\$260
75	94.5 %	95.5 %	93.6 %	\$300
100	95.0 %	95.4 %	94.1 %	\$400
125	95.0 %	95.4 %	95.0 %	\$600
150	95.8 %	95.8 %	95.0 %	\$700
200	95.8 %	96.2 %	95.4 %	\$700

QUESTIONS? CONTACT US BY PHONE OR THE WEB – WE’RE HERE TO HELP!

**888-921-5990 • [www.encyvermont.com](http://www.encyvermont.com)**

# 2007 Rebate Application for 3-Phase Electric Motors & VFDs

## Motor Information

(Obtain rebate amounts from lower tables on page 2.)

Manufacturer	HP	RPM	ODP or TEFC?	Model #	Efficiency % (see front)	Annual Run Hrs.	Function	Location	Rebate Amt. Each (see table)	Quantity	Rebate Amt.
Sample Co.	30	1800	TEFC	RR/C1957	93.6	4400	HVAC Pump	Mech. Rm. 4	\$150	1	\$150
<b>TOTAL MOTOR REBATE:</b>											

## VFD Information

(Obtain rebate amount from top table on page 2.)

Type of Variable Frequency Drive (supply fan, return fan, exhaust fan, or chilled water pump)	Location Where Installed	HP (3, 5, 7.5, 10)	Rebate Amt. Each (see table)	Quantity	Rebate Amt.
Supply Fan	Mechanical Room 2	7.5	\$1,000	1	\$1,000
<b>TOTAL VFD REBATE:</b>					

**MOTOR REBATE + VFD REBATE = TOTAL REBATE REQUESTED:**

Return this completed form (both sides) to Efficiency Vermont with your proofs of purchase.

# Terms & Conditions

**REBATE OFFER:** This rebate program covers products purchased and installed in 2007. Details of this program, including rebate levels, are subject to change without notice.

**ELIGIBILITY:** Rebates through this program are available to business customers of electric utilities in Vermont.

**ELIGIBLE EQUIPMENT:** Review the eligibility requirements on page 1 to ensure eligibility before completing this form.

**PROOFS OF PURCHASE:** Sales receipt(s) or invoice(s) itemizing the new equipment and indicating the size, type, make, model, purchase date and vendor must accompany each rebate application.

**PAYMENT:** Equipment must be purchased and installed before payment is issued. Falsifying any information may lead to cancellation of this and future rebate applications, a claim by Efficiency Vermont for the return of any rebate, and/or referral for prosecution. Allow 45 days for delivery of payment. Submitting an application with incomplete or missing information may delay check processing and delivery. Efficiency Vermont will not pay more than 100% of the material purchase price shown on the invoice.

**APPROVAL & VERIFICATION:** Rebates exceeding \$2,500 must be approved before purchase. Efficiency Vermont reserves the right to verify sales transactions and inspect all installations.

**TAX LIABILITY:** Efficiency Vermont will not be responsible for any tax liability to the customer as a result of rebate payments.

**ENDORSEMENT:** Efficiency Vermont does not endorse any particular manufacturer or product in promoting this program. Equivalent products must be pre-approved by Efficiency Vermont.

**SAFETY & BUILDING CODES:** The customer/contractor agrees that each measure complies with all federal, state, and local safety, building and environmental codes. All products must be UL-listed and installed per manufacturer's instructions.

**CONTRACTOR'S CERTIFICATION:** If the equipment listed on this application was installed by a contractor, the contractor verifies that the equipment has been installed correctly.

**DISPOSAL:** The customer is responsible for the proper disposal/recycling of any waste generated as a result of this project, including the disposal of refrigerant.

**CONFIDENTIALITY:** All customer, vendor and/or contractor information supplied to Efficiency Vermont will be kept confidential and will not be shared with any person or organization.

**DISCLAIMER OF WARRANTIES:** Efficiency Vermont neither expressly nor implicitly warrants the performance of any equipment. Contact your contractor for details regarding warranties.

## Vendor/Contractor Information

Company Name	Contractor/Salesperson Name	Telephone #	Fax#
Street Address	Town/City	ZIP Code	
Federal ID # (Company) or Social Security # (Individual) – Provide if Efficiency Vermont is to issue payment directly to the vendor or contractor.			

## Customer Information & Agreement

Company Name	Contact Name/Title	Telephone #	Email Address
Physical Address	Town/City	ZIP Code	Fax #
Mailing Address (if different)	Federal Tax ID or Social Security #		
Electric Utility	Account #		

Please issue rebate payment directly to the vendor/contractor noted above.

I certify that I meet the eligibility requirements of this program and that all statements made on both sides of this application, including invoices/receipts, are correct to the best of my knowledge. I agree to the terms and conditions set forth above.

Customer's Signature	Date
----------------------	------



255 S. Champlain St., Suite 7 • Burlington, VT 05401-4894  
 (888)921-5990 toll free | (802)658-1643 fax  
 www.efficiencyvermont.org

For Internal Use

Efficiency Vermont Approval	Tracking #
-----------------------------	------------

Return this completed form (both sides) to Efficiency Vermont with your proofs of purchase.